



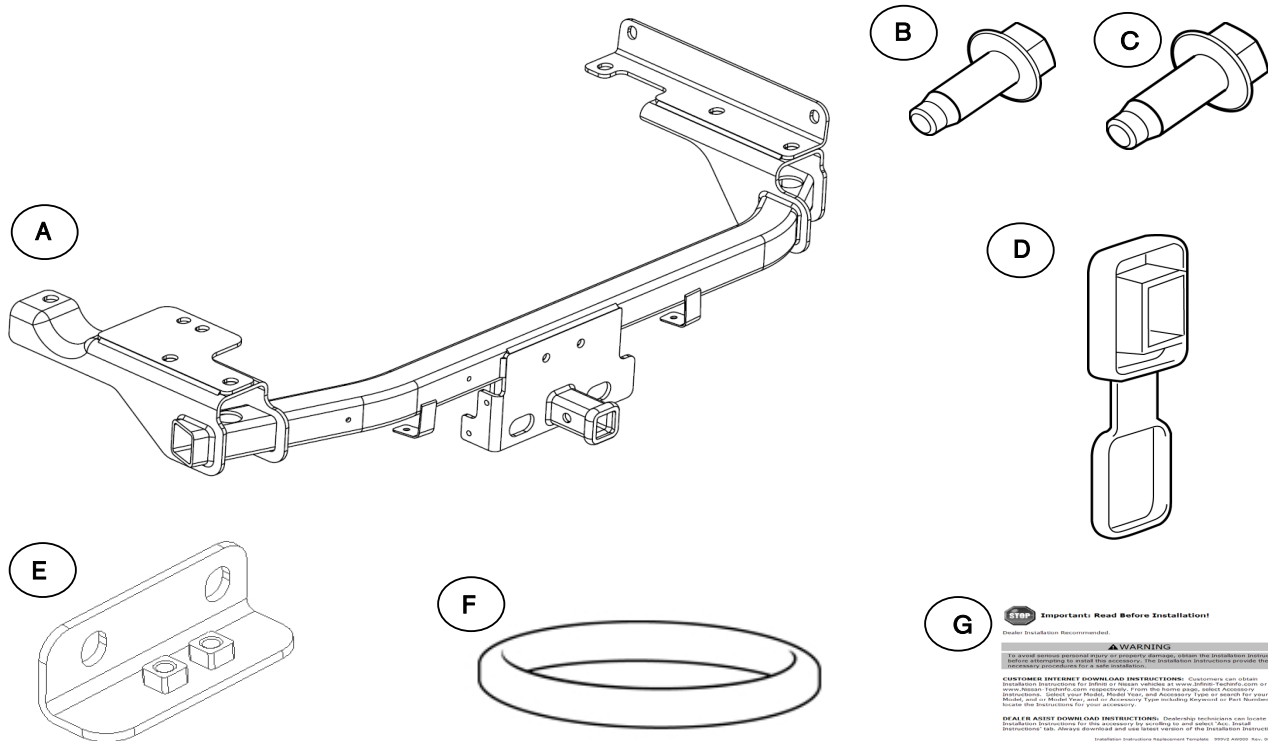
# GENUINE PARTS

## INSTALLATION INSTRUCTIONS

<b>DESCRIPTION:</b>	Tow Hitch Kit
<b>APPLICATION:</b>	Murano
<b>PART NUMBER:</b>	Tow Hitch Receiver (999T5 C3100)
	Installation of this accessory requires installation of additional Nissan genuine part(s):
	<ul style="list-style-type: none"> <li>• Wire Harness (999T8 C3000)</li> <li>• Ball Mount Kit (999T5 C3150)</li> <li>• Class I Hitch Ball (999T5 VT010)</li> </ul>
<p>Note: Wire Harness Pre-wiring is not standard. Please check the Accessory Application Chart at your local dealership to determine vehicle application.</p> <p>If using Wire Harness Kit, part number 999T8 C3000, must be installed prior to hitch kit.</p>	

### KIT CONTENTS:

Item	Qty.	Part Description	Service Part Number
A	1	Tow Hitch Receiver	999T5 C3110
B	4	M10 X 1.25MM X 25MM HVY HEX BOLT WITH FLANGE	081B70252A
C	8	M12 X 1.25MM X 35MM HVY HEX BOLT WITH FLANGE	081B72302A
D	1	Hitch Cap	999T5 G2200
E	1	C/C Slip Plane Mount Bracket	
F	1	Exhaust Gasket	20691 30P00
G	1	Installation Instruction Replacement Template	999V2 AW000



**STOP Important: Read Before Installation**

Proper Installation Recommended

**WARNING**

To avoid serious personal injury or property damage, follow the Installation Instructions before attempting to install the accessory. The Installation Instructions provide the following information:

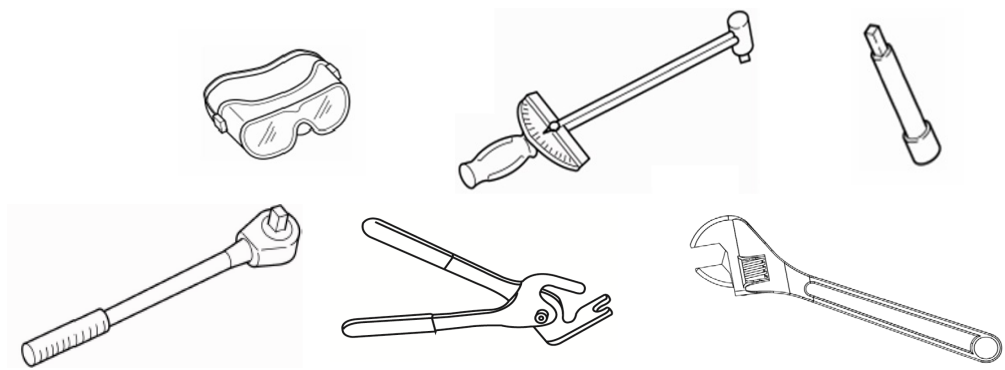
**CUSTOMER INTERNET DOWNLOAD INSTRUCTIONS:** Customers can obtain Installation Instructions for Vehicle or Equipment online at [www.nissanusa.com](http://www.nissanusa.com) or [www.nissan.com](http://www.nissan.com). To help save responsibility, print the online page, select "Accessory" or "Instructions," select your Model, Model Year, and Accessory Type for search. For your Model, read the "Related Parts" and the Accessory Type including Keyword for Part Numbers. Then locate the Instructions for your accessory.

**DEALER ASSIST DOWNLOAD INSTRUCTIONS:** Dealership technicians can locate the Installation Instructions for accessories at the Dealer Help and Support, Help, Download Instructions, Instructions tab. Always download the correct version of the instructions.

Installation Instructions Replacement Template: 999V2 AW000 Rev. 08/04/14

**TOOLS REQUIRED:**

- 1/4 in. or 3/8 in. Drive Socket Wrench
- 9" Socket Extension
- 10mm Socket
- 14mm Socket
- 16mm Socket
- 17mm Socket
- Torque Wrench
- Safety Glasses
- Adjustable Wrench
- Exhaust Hanger Pliers



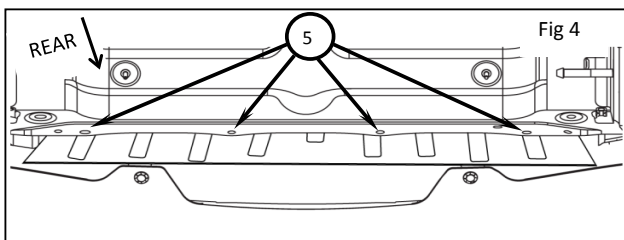
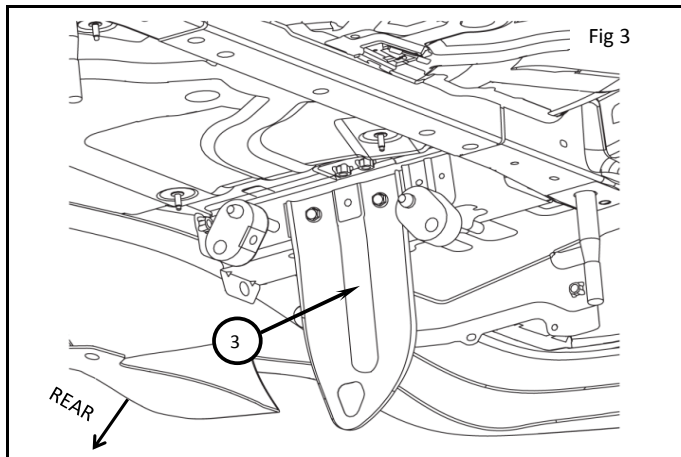
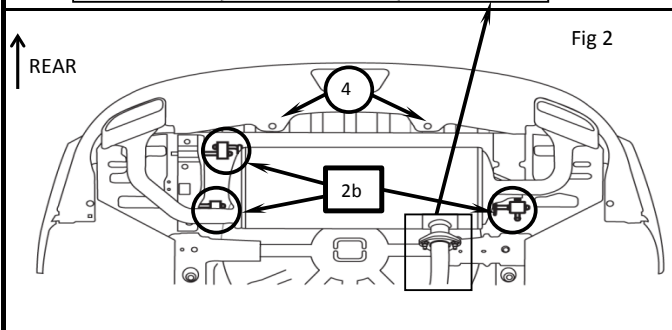
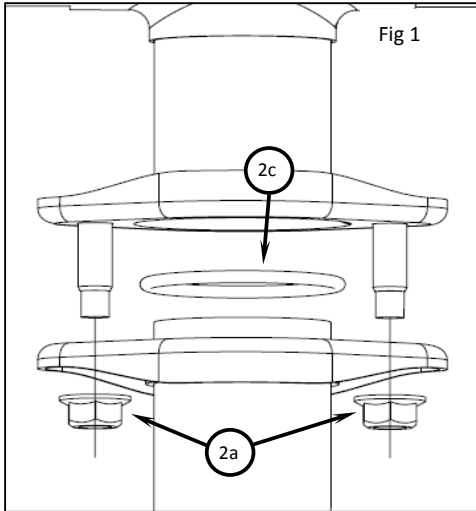
**PRE-INSTALLATION WARNINGS, CAUTIONS, CRITICAL STEPS, and NOTES:**

- Dealer Installation Recommended.

**⚠ CAUTION**

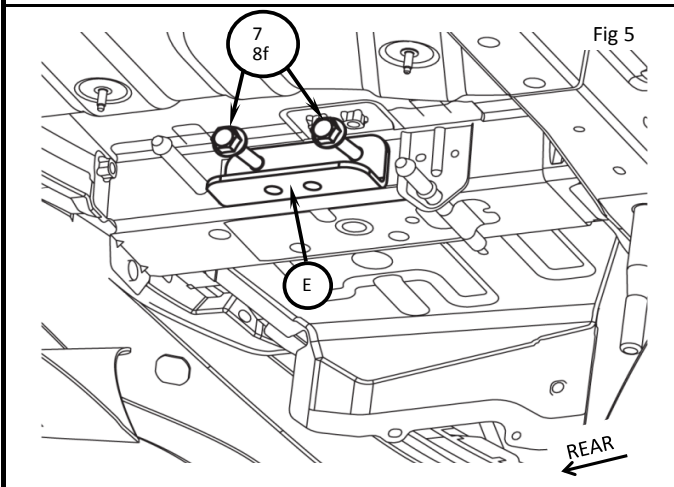
- See owners manual for vehicle towing rating.
- Be careful of sharp edges and hanging components when under vehicle.
- Bolts must be tightened according to the specified torque values.

## INSTALLATION PROCEDURE:



- 1) Raise and secure vehicle on lift.
- 2) Wait until the muffler is no longer hot. Remove the muffler by performing the following steps.  
Note: Use two people to remove muffler
  - a) Remove exhaust nuts as shown in Figure 1 using 16mm socket.
  - b) Remove muffler from isolators as shown in Figure 2 using exhaust hanger pliers.
  - c) Remove and discard exhaust gasket as shown in Figure 1.
- 3) Remove and discard the marine tow hook (if applicable) as shown in Figure 3. Be careful to avoid sharp edges on the muffler heat shield.
- 4) Remove the (2) clips attaching the rear fascia to the rear panel lower as shown in Figure 2. Keep clips to reuse.
- 5) Remove the Rear Panel Lower as shown in Figure 4 using 10mm socket.
- 6) Attach trailer harness to hitch member per the harness installation instructions.

## INSTALLATION PROCEDURE:



- 7) Hand-tighten the C/C Slip Plane Mount Bracket, Item E, to the driver's side frame rail using (2) M12 bolts as shown in Figure 5.

Note: Use two people to install trailer hitch

- 8) Attach trailer hitch to body frame rails as shown in Figure 5 and 6. Position passenger side first ensuring trailer hitch is over isolator hanger. Using the supplied fasteners, secure trailer hitch in the following order:

- a) Hand-tighten the (6) M12 bolts making sure to slide the hitch as far to the driver's side as possible as shown in Figure 6.

- b) Hand-tighten (2) M10 bolts on the RH Mount Bracket as shown in Figure 6.

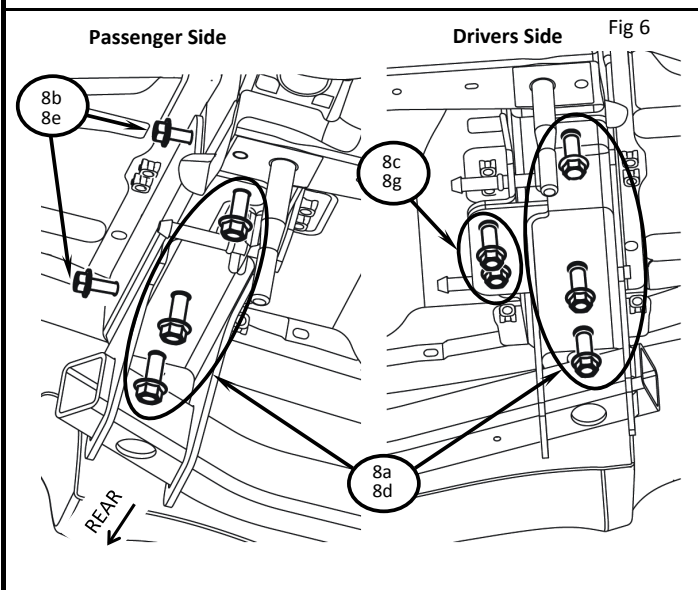
- c) Hand-tighten (2) M10 bolts on LH C/C Slip Plane Bracket as shown in Figure 5.

- d) Tighten (6) M12 bolts from step 8a to 100-130 N•m [74-96 ft•lb] as shown in Figure 6.

- e) Tighten (2) M10 bolts from step 8b to 60-75 N•m [44-55 ft•lb] as shown in Figure 6.

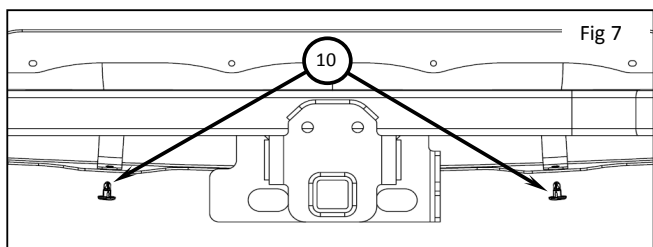
- f) Tighten (2) M12 bolts from step 7 to 100-130 N•m [74-96 ft•lb] as shown in Figure 5.

- g) Tighten (2) M10 bolts from step 8c to 60-75 N•m [44-55 ft•lb] as shown in Figure 6.

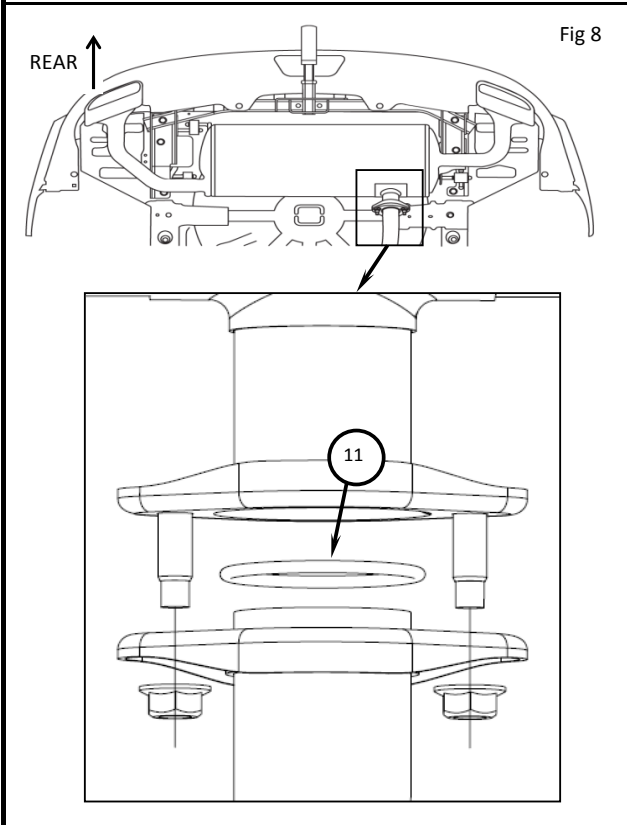


- 9) Complete Wire Harness installation per harness instructions.

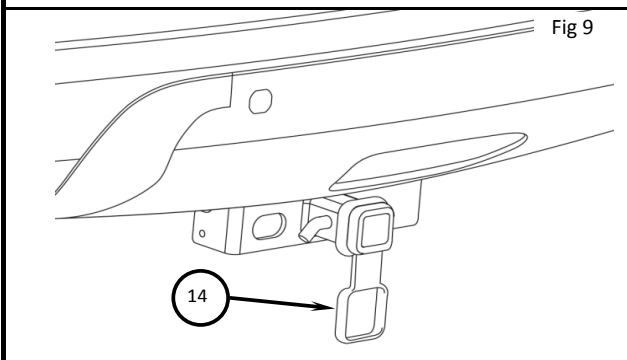
- 10) Secure fascia to trailer hitch brackets using the (2) clips that were removed in step 4 as shown in Figure 7.



## INSTALLATION PROCEDURE:



- 11) Reinstall the muffler/exhaust hanger using the supplied new exhaust gasket between the connection flanges as shown in Figure 8. Tighten nuts to 60-70 N·m [44-52 ft-lb].



- 12) Install receiver cover as shown in figure 9.
- 13) Check hitch for proper installation.
- 14) Lower and remove vehicle from the lift.